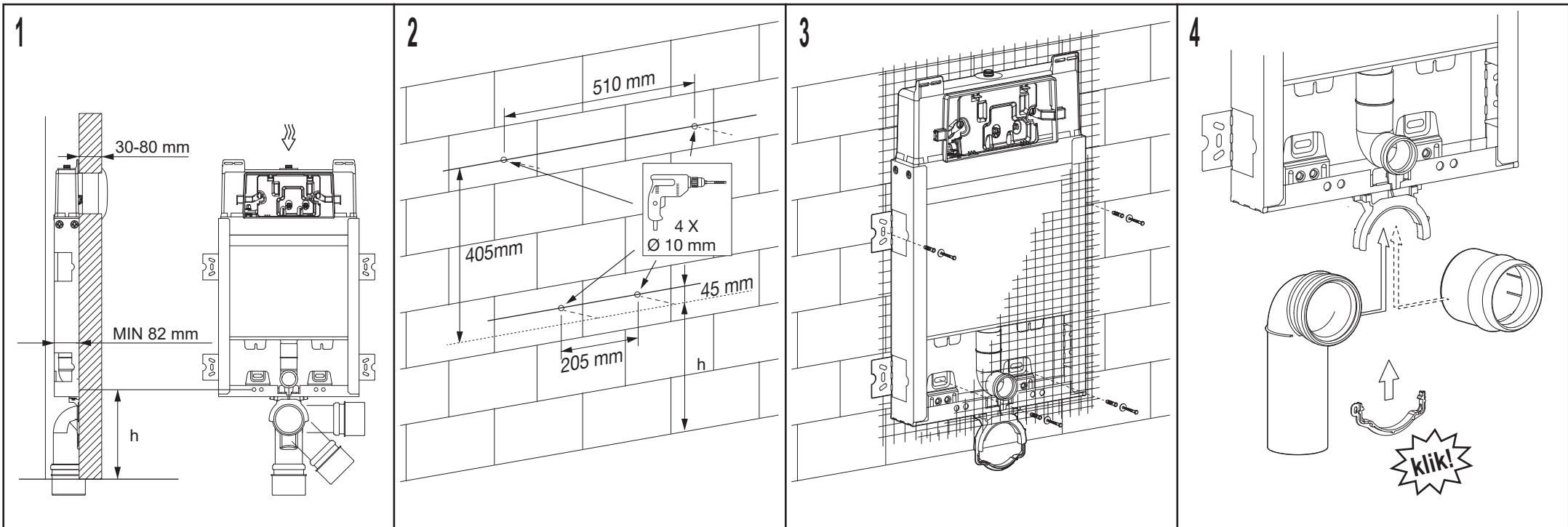
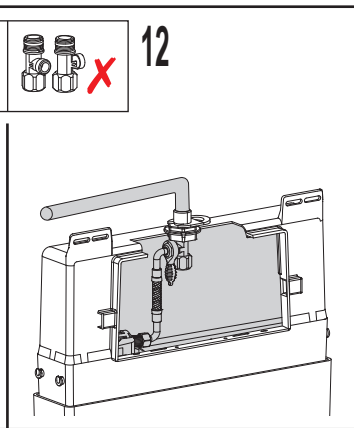
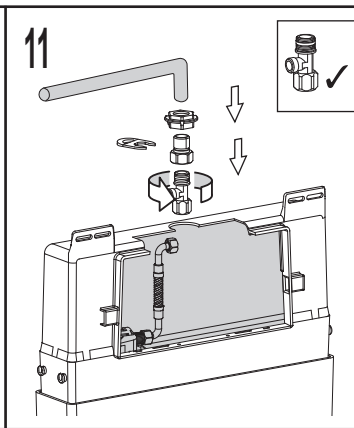
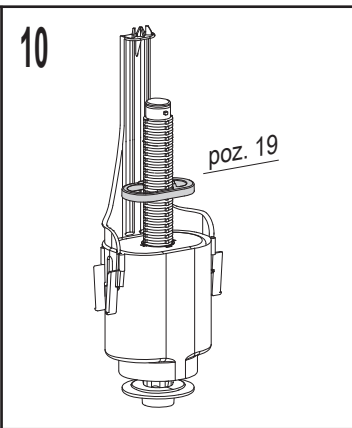
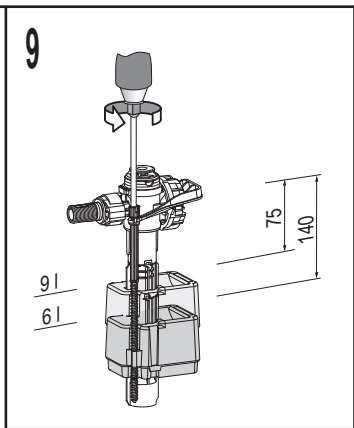
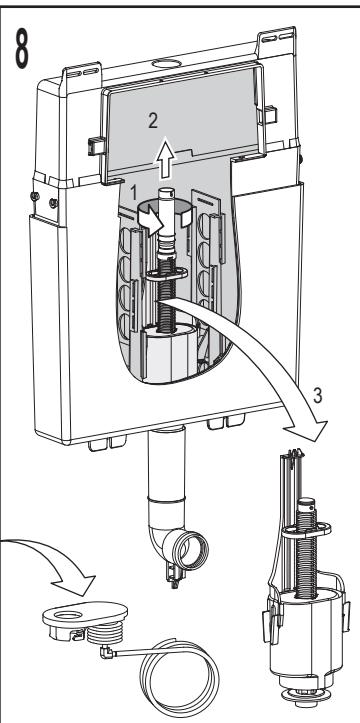
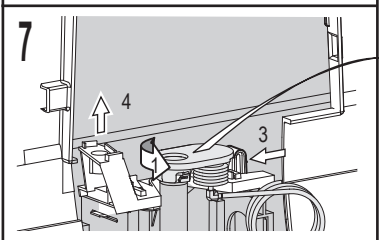
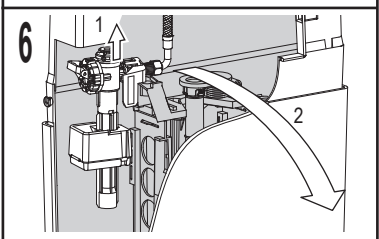
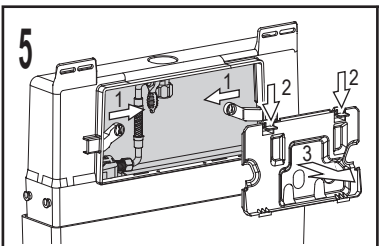


## 9 | Galvanized WC element, flat





6 l ↔ 9 l

8	9	
140	poz. 19	6 l
75	poz. 19	9 l

